



Translation of copy in original language
IMPORTANT:
MUST BE READ

EN

831089600

rev. 1.0

12/04/2023

Installation, use and maintenance manual

INSERTS AND WOOD STOVES



TABLE OF CONTENTS

1 PRODUCT SAFETY	3
2 HANDLING AND UNPACKING	6
3 MINIMUM INSTALLATION REQUIREMENTS	6
4 INSTALLATION	8
4.1 FLUE PIPE	8
4.2 CHIMNEY COWL	9
4.3 DRAW	10
4.4 STOVE EFFICIENCY	10
4.5 AIRTIGHT STOVE ONLY	11
4.6 INSTALLATION PLACE	12
4.7 CONNECTION TO THE FLUE PIPE	13
5 PRODUCT DESCRIPTION	14
5.1 WOOD INSERTS	14
5.2 TECHNICAL DATA	14
5.3 WOOD STOVE	16
5.4 TECHNICAL DATA	16
5.5 PRODUCT DETAILS	18
6 PRODUCT USE	22
6.1 POWER ON	22
6.2 COMBUSTION	23
7 CLEANING AND MAINTENANCE	25
8 YEARLY SCHEDULED MAINTENANCE	27
9 INSTALLATION AND TEST CERTIFICATE	28
10 WARRANTY	30



TABLE OF CONTENTS

1 PRODUCT SAFETY

The stoves are built in compliance with the EU 305/2011 Construction Products Regulation, with the standard EN13240 (wood-burning stoves), the EN 14785 (pellet stoves and heating stoves), the EN 303-5:2012 (Pellet boilers) and with the EN 13229 (wood inserts) using high quality and non-polluting materials. To make better use of your stove it is advisable to follow the instructions in this booklet. Read this manual carefully before use or any maintenance operation.

On a sample basis, some products are subjected to internal testing before shipment and, as such, these may contain residues. The intent of is to provide as much information as possible to ensure safer use and avoid damage to people, property or parts of the stove itself.

MANUAL SYMBOLOGY

	ATTENTION	Indicates operations that are dangerous for the user and the product.
	INFORMATIONS	Indicates important information that the user must heed for the proper functioning of the product.

 **ATTENTION**
 KEEP THE INSTRUCTION MANUAL FOR FUTURE REFERENCE, IF ANY CLARIFICATIONS ARE REQUIRED CONTACT YOUR AUTHORISED

 **FUEL TO BE USED**

Dry wood produces more usable heat than wet wood as it produces less smoke, less soot and less carbon dioxide. Dry wood is the correct choice to maximise use of your stove. Always remember to split the wood so that it loses moisture: the higher its water content, the greater the quantity of heat needed to ignite. It is good practice to use wood cut two years beforehand and kept away from moisture.

Based on the weight in Hg of a cubic metre of material, the wood can be classified as either "softwood" or "hardwood".

- "Softwood" (300--350 kg/m³ such as spruce, pine, poplar, alder, chestnut, willow) burns rapidly, producing a fiercer heat; it is therefore ideal for starting a fire but to use it as fuel would require frequent refilling of the stove. "Softwood" can also produce more creosote, meaning that the chimney will require more frequent cleaning.
- "Strong wood" (350-400 kg/m³ e.g. elm, oak, holm oak, beech, ash), instead, has a slower combustion thus producing a more durable heat. Due to this characteristic, it is preferred in the field of domestic heating.

For heating purposes, wood can be divided into:

- Excellent quality: oak, ash, beech, maple.
- Discreet quality: chestnut, birch and alder.
- Acceptable quality: linden, poplar and willow

The calorific value depends therefore, on the density of the wood (that varies based on its type) and on its moisture content. The heat output of the stoves is directly affected by this factors. Depending on its moisture content, it can be indicated in:

% of humidity	Calorific value (kcal/kg)
15%	3490
20%	3250
25%	3010
30%	2780
35%	2450
40%	2300

Wood that is too damp and not seasoned causes water vapour during combustion, which cracks the walls of the combustion chamber and the flue, compromising its performance and safety.

On average, a well seasoned wood has a calorific value of 3200 kcal/kg. The technical data were obtained using beech wood according to the UNI EN ISO 17225-5 standard.



SAFETY WARNINGS

Read the manual carefully:

- Read the manual carefully:
- assumes no responsibility for damage to people and/or things nor for the malfunction of the stove resulting from failure to comply with the provisions of this Instruction Manual
- The guarantee will remain valid for 1 year for professional operators and 2 years for consumers
- Stove installation must be carried out by qualified staff and pursuant to the regulations in force in the relevant country.
- Should ignition phase take longer than expected (due to damp or poor-quality wood) generating excessive smoke in the combustion chamber, open the door to expel it, while remaining in a position that guarantees your safety.
- **The burn pot and the combustion chamber must be cleaned daily. The manufacturer declines any liability for any malfunctioning due to a failure to do so.**
- The combustion of waste, especially of plastic materials, damages the stove or boiler and the vent pipe. Moreover, it is forbidden by the law against the emission of harmful substances.
- Do not use alcohol, petrol or other highly inflammable liquids to light the fire or poke it during operation.
- Do not introduce into the stove an amount of fuel greater than that recommended in this booklet.
- Do not modify the product.
- It is forbidden to use the appliance with the door open or the glass broken.
- Do not use the appliance as, for example, a clothes drying rack, a bearing surface or step etc.
- Do not install the stove in bedrooms or bathrooms if not certified as watertight.



GENERAL SAFETY PRECAUTIONS

Read the manual carefully:

PRODUCT SAFETY

- Use the stove only as described in this manual. Any other use not recommended by the manufacturer may cause fires or accidents to people.
- This appliance is not a toy. Make sure children are not left unattended and do not use the appliance as a toy.
- This device is not intended for use by persons (including children) with reduced physical or mental capacity, or without specific experience and knowledge, unless supervised or duly instructed on the use of the appliance by a person responsible for their safety.
- During normal functioning some parts of the stove may become extremely hot, such as the door, the glass or the handle. Be careful, especially with children. Do not touch any hot parts if not wearing adequate protective devices.



ATTENTION

ATTENTION! DO NOT TOUCH the FIRE DOOR, the GLASS, the HANDLE or the FUME OUTLET DURING FUNCTIONING if not wearing adequate protective devices since they become extremely hot!

- Keep inflammable materials, such as furniture, cushions, pillows, blankets, paper, clothing, curtains, etc., at least 1.5 m away from the stove front and 30 cm from the stove sides and back.
- During operation, there is a risk of fire if the stove is covered or if it comes into contact with flammable material including curtains, draperies, covers, etc. **KEEP THE PRODUCT AWAY FROM SUCH MATERIAL.**
- Do not use the stove in dusty environments or wherever inflammable vapours are generated (e.g. in a workshop or garage).
- Do not install the appliance underneath an air vent. Do not install the stove outdoors.
- Do not repair, disassemble or modify the appliance. The appliance is not fitted with components that can be repaired by users.



ATTENTION

DO NOT USE DIFFERENT FUELS: any other material burned will cause the equipment to fail and malfunction.



ATTENTION

Clean the firebox regularly upon each ignition.

- The combustion chamber must be kept closed, except when loading or removing residues, in order to prevent smoke egress.
- Do not use the appliance as waste incinerator or for any other purpose other than the intended one.
- Do not use liquid fuels.
- Do not modify the appliance without prior authorisation.
- Use only original spare parts recommended by the manufacturer.
- Make sure that the stove is transported in compliance with safety regulations. Avoid any improper transfers or knocks that may damage the ceramics or the structure.
- The metal structure is coated using high temperature paints. When using the appliance for the first few times, unpleasant odours may be given off due to the paint of the metal parts that is drying: this is in no way dangerous and in such case, simply ventilate the premises. After the first heating cycles, the paint will reach its maximum adhesion and all its chemical and physical features.
- In case of glass breakage after an accidental collision, do not use the product.
- It is also possible that the product may undergo slight deformations, as the structure is made of steel, and therefore slight noises or crunches may be heard. This is absolutely normal and should not be considered a defect.



ATTENTION

If the stove is not properly installed, power outages may result in fume spillages. In some cases, it may be necessary to install an uninterruptible power supply.



ATTENTION

Being a heating appliance, some parts of the stove can become extremely hot. For precisely this reason, we advise that you take extreme care during operation.



WHEN THE STOVE IS OPERATING:

- **do not touch the door glass since it becomes extremely hot;**
- **keep children away from it;**
- **do not touch the fume outlet;**
- **do not pour any liquid inside the firebox;**
- **do not perform any maintenance operations if the stove is not cold;**
- **only qualified technicians are allowed to perform any operation;**
- **follow all the instructions contained herein.**



ATTENTION

IN CASE OF FIRE:

- Close the firebox door and the ash drawer.
- Close the comburent air adjustment devices.
- Use sand or coarse salt in handfuls, and not water, to extinguish the fire; Use powder CO2 extinguisher.
- Remove objects and furniture.
- Call the fire-fighter service.

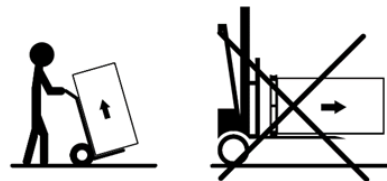
2 HANDLING AND UNPACKING



ATTENTION

Unloading of the product must be performed using lifting means that are suitable and that have characteristics that are consistent with the weight of the stove. The operator must make sure that during offloading and lifting of the stove there are no persons or objects nearby. When unpacking, avoid damaging the product with cutters or blunt tools. Keep the packaging out of the reach of children. Pay attention to the balance of the product given its size and weight.

i When transporting do not position the product horizontally. Unloading of the product must be performed using lifting means that are suitable and that have characteristics that are consistent with the weight of the stove. Unscrew the screws that secure it to the pallet from below and place the stove in the dedicated position paying attention to any obstructions that may hinder installation or damage the item.



INSTRUCTIONS FOR DISPOSAL OF THE PRODUCT AND PACKAGING

	The presence of this symbol applied to the product determines that it is NOT a refusal to be considered generic, but must be demolished and disposed of in compliance with the rules in force in your country, making sure that the collection centers are in accordance with the law and respectful of the environment. The responsibility for such disposal is to be borne by the owner and to not incur sanctions or adverse effects on the environment and health, we recommend you contact the local administration, the local waste disposal center or the retailer directly to get more information about places and ways of collecting. Proper waste disposal is important not only for the environment and the health of citizens, but also because this operation leads to a recovery of materials that have significant energy and resource savings.
METALLIC PARTIES	Transfer to a special collection centre in the Metal sector.
METALLIC PARTIES	For proper disposal of waste electrical and electronic equipment (WEEE) consult WEEE Directive 2012/19/EU.
OTHER PARTIES	If it is non-recyclable waste, transfer it to a collection centre.
STRAP	Separate collection (DRY) or transfer to a special collection centre.
PACKAGING PALLET	Transfer to a special collection centre in the wood sector.
PLASTIC BAG and PACKAGES	Separate collection (PLASTIC) or transfer to a special collection centre.
POLYSTYROL	Separate collection (DRY) or transfer to a special collection centre.

3 MINIMUM INSTALLATION REQUIREMENTS



INTRODUCTION:

INSTALLATION WITH WALL FUME OUTLET IS PROHIBITED. INSTEAD THE FUME OUTLET MUST BE ROOF-TYPE AS PROVIDED FOR BY NATIONAL REGULATIONS.

Eva Stampaggi S.r.l. assumes no responsibility for damage to persons and/or property caused by non-compliance with the point highlighted above for products installed in a non-compliant manner.

Install the stove according to the regulations in force in the country of use.

For example, in Italy the UNI 10683 standard is in force, which includes 4 points:

- 1 preliminary activities - the duty and responsibility of the dealer/installer at the time of the inspection before the final installation. Preliminary procedures include:
 - installation site suitability verification;
 - fume evacuation system suitability verification;
 - checking of the suitability of the external air intakes;
 - At this stage, the product needs to be checked in order that it can be safely operated and that the relevant technical specifications are met. The safety conditions must be assessed with a preventive inspection. Stoves and fireplaces are heating systems and as such must be installed safely and according to the manufacturer's instructions!
- 2 installation - the installer's responsibility. In this phase, the installation of the product and of the smoke evacuation system are considered and the following issues are addressed:
 - safety distance from combustible materials;
 - construction of chimney flues, smoke channels, intubated systems and chimney cowls.

- 3 issuing of additional documentation - the installer's responsibility. The release of technical documentation must include:
 - use and maintenance manual for the appliance and the components of the system (e.g. smoke channels, chimney flue, etc.);
 - photocopy or photograph of the chimney flue plate;
 - system manual: (if applicable);
- 4 control and maintenance - the responsibility of the maintenance technician who must ensure care and maintenance of the product during its use over time. The operator assigned to the control and maintenance of the systems for winter and summer air conditioning, performs these activities to a professional standard, in compliance with the current legislation. The operator, at the end of the same operations, must prepare and sign a technical control report in accordance with the models provided for by the rules of this decree and by the implementing rules, in relation to the types and potential of the system, to be issued to the person who signs a copy for receipt and acknowledgement.

In addition to what is specifically provided for in the following paragraphs of this Instruction Manual, the Purchaser must comply with the following minimum installation requirements:

- a) Do not invert or place the stove horizontally on one side;
- b) The power of the stove must be adapted to the size of the room where it is to be installed and the room must be ventilated from the outside;
- c) The assembly of the flue pipe must be carried out in a workmanlike manner and according to European (UNI 10683) and national regulations, local regulations and the technical specifications and warnings contained in this Instruction Manual;
- d) The smoke outlet must be connected to the flue pipe by means of telescopic fittings;
- e) The diameter of the flue must be less than 150 mm.
- f) The connection to the flue pipe must be made with an inclination connection of less than 45°;
- g) The flue pipe must be suitably insulated;
- h) The minimum slope of the horizontal section must be 5%
- i) The chimney and/or flue pipe must be waterproofed;
- j) The flue shall not have more than two changes of direction;
- k) The flue gas must be discharged directly into the flue pipe;
- l) The flue gas duct must have a length of less than 6.0 m before the flue, with a maximum horizontal section of 3.0 m;
- m) The flue and flue duct must not narrow in width from the initial diameter for its entire length. The initial diameter shall be that of the exhaust outlet of the stove body;
- n) The minimum value of the ventilation duct opening must be 80 cm²;
- o) The distance of the flammable walls must be respected, as prescribed on the "stove data plate";
- p) The burn pot must be cleaned before each ignition of the stove.



ATTENTION

The Buyer must not carry out any structural modifications to the stove and must not make any operational changes to the electrical board.

Installation and connection must be carried out by the Purchaser and by qualified technical personnel, in compliance with European (UNI 10683) and national regulations, local regulations and the assembly instructions contained in this Instruction Manual.

does not assume any direct and/or indirect criminal and/or civil liability for damage to people or things resulting from failure to comply with the aforementioned legal provisions, the assembly instructions, the warnings and general safety regulations indicated in this Instruction Manual.

Failure to comply with the installation requirements and/or tampering with the stove can cause: inadequate power and/or anomalous behavior of the product, poor smoke draft, clogging of the brazier, slow combustion, fire in the tank, overheating and risk of fire of the stove, fire hazard in the fume duct, lack of oxygen in the environment where the stove is positioned.

does not assume any criminal and/or civil liability, direct and/or indirect for the malfunctioning of the stove and for damage resulting to people or property caused by failure to comply with the stove installation requirements and/or tampering with the itself.

The Buyer must request and keep the certification of conformity of the installation and connection of the stove with the provisions of the law. In the absence of this certification does not assume any criminal and/or civil liability, direct and/or indirect for the malfunction of the stove and for damage caused to people or things, deriving from the use of the product.



ATTENTION

Warning: in the event of a power failure or electrical blackout, the burn pot must be emptied before repeating the operation. Failure to follow this procedure may cause the door glass to break.

4 INSTALLATION

4.1 FLUE PIPE



THE PRODUCTION OF STOVES WITH HIGHER PERFORMANCE IS INCREASINGLY REQUIRED SO IT IS BECOMES ESSENTIAL TO ENSURE THAT INSTALLATIONS COMPLY WITH THE LAW. IF THE VENT PIPE PASSES THROUGH NON-HEATED ENVIRONMENTS, IT MUST BE INSULATED FOR CORRECT COMBUSTION.

The vent pipe is one of the key features for guaranteeing the proper functioning of the stove. Thanks to the quality of the materials, the strength, the durability, the easy cleaning and maintenance, the best vent pipes are made of steel, either stainless steel or aluminised.

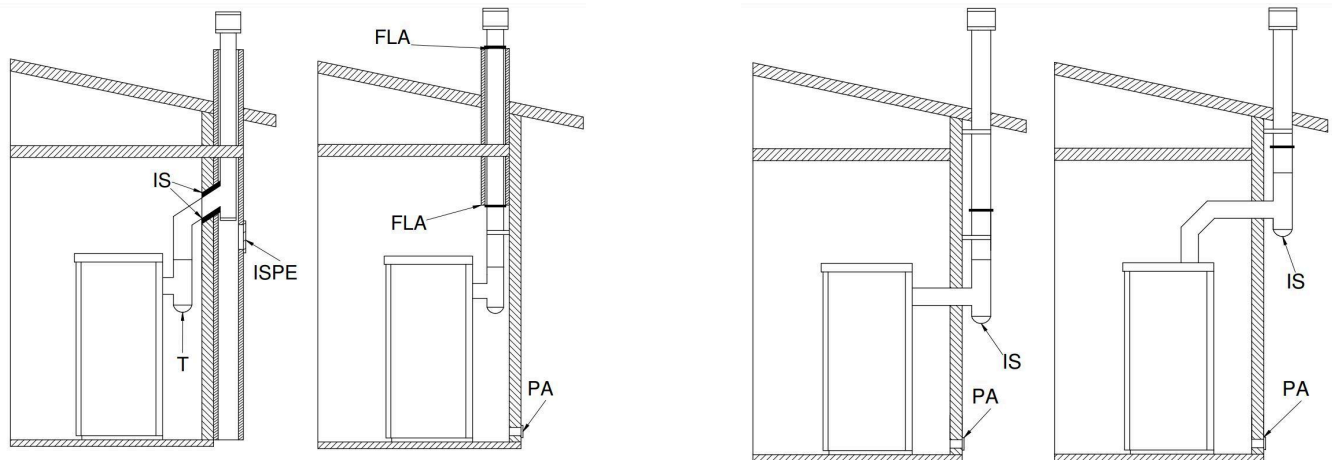
- To make fitting of the rigid steel flue pipe easier, we recommend using telescopic connectors, which will also compensate for the thermal dilation both of the fire box and the flue pipe itself.
- Seal the vent pipe joint connection with high temperature silicone sealant (1,000°C). Should the existing flue opening not be perfectly perpendicular to the firebox fume outlet, use an elbow to connect them. The inclination, with respect to the vertical, must never exceed 45° (see figure to the side) and there must be no bottlenecks.
- No constrictions. Use 10cm-thick insulating thimbles if pipe vent passes through floors.
- The vent pipe must be insulated along its entire length. Thanks to the vent pipe, insulation fume temperature will remain high optimising draught, preventing condensation and reducing the build-up of non-ignited particles along the vent pipe walls. Use proper insulating materials (glass wool, ceramic fibre, Class A1 non-combustible materials).
- The flue must be waterproof and must not make more than two changes of direction.
- The use of double-walled metal hoses in certified steel is permitted if installation with a rigid tube is not possible. The use of flexible metal and extensible aluminium pipes is not allowed.



ATTENTION

The flexible system can only be used inside the chimney for the vertical section and must be fixed to a rigid T-coupling, do not use for the fume duct pipe.

EXISTING VENT PIPE AND EXTERNAL VENT PIPE



Key: IS - Insulator; ISPE - Inspection; T - T fitting; FLA - Hermetic closure flange; PA - External air intake

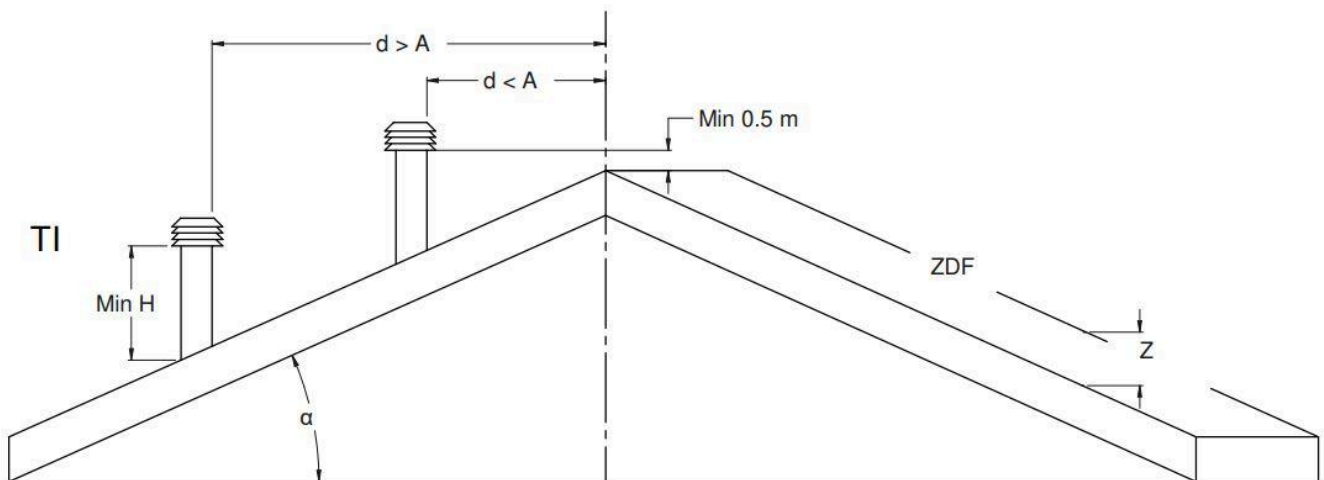
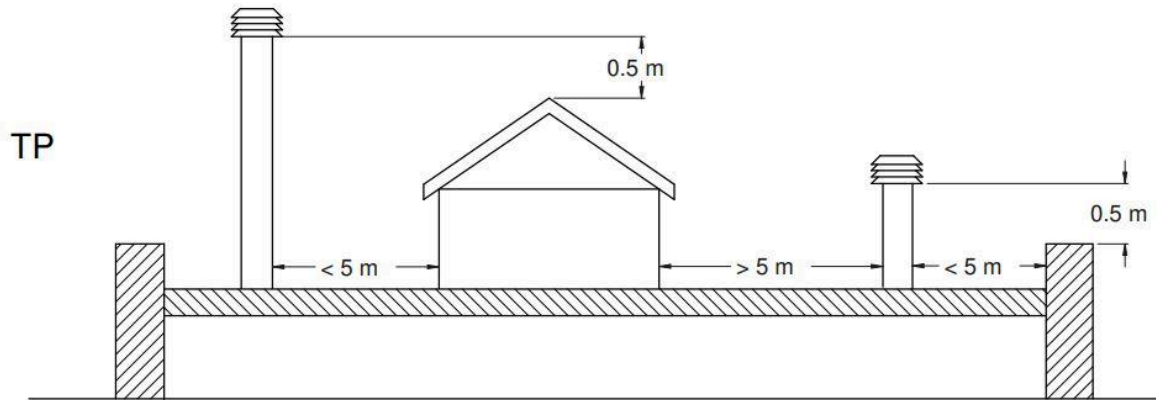
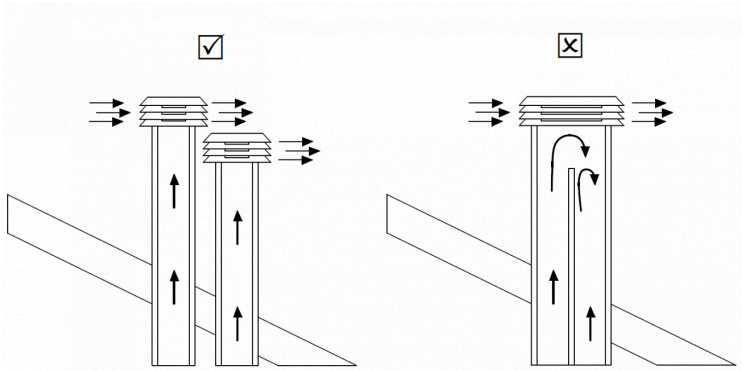
Types of vent pipe

	Steel vent pipe with double chamber insulated with material resistant to 400°C. Optimum efficiency.		Refractory vent pipe with insulated double chamber and external coating in lightweight concrete. Optimal efficiency.
	Refractory vent pipe with insulated double chamber and external coating in lightweight concrete. Optimal efficiency.		Avoid vent pipes with internal rectangular section whose ratio between the larger and smaller side is greater than 1.5. Poor efficiency

4.2 CHIMNEY COWL

A properly installed chimney cowl ensures optimum stove functioning. The anti-downdraught chimney cowl consists of a number of components whose outlet section sum always doubles the flue pipe section. Make sure the chimney cowl is at least 150cm above the roof rise so that it is fully exposed to the wind. The chimney cowls must:

- have useful outlet section that is at least twice that of the vent pipe.
- be made in such a way as to prevent the penetration of rain or snow.
- be constructed in such a way as to ensure, in the event of winds coming from any direction, the evacuation of combustion products.
- be free of mechanical intake auxiliaries.



Key: TP - flat roof; TI - sloping roof; d - distance; ZDF - reflux zone

Roof pitch α [°]	Horizontal width of reflux zone measured from top A axis [m]	Minimum height from roof for discharging exhaust fumes H min = Z+0.50m	Minimum height from roof for discharging exhaust fumes H min = Z+0.50m
15	1,85	1,00	0,50
30	1,50	1,30	0,80
45	1,30	2,00	1,50
60	1,20	2,60	2,10

4.3 DRAW

Fumes heat up during combustion, increasing their volume. Their density is therefore lower than the one of the surrounding colder air.

This difference between the inside and outside temperatures of the chimney results in a negative pressure which increases proportionally to the vent pipe length and the temperature.

The draw of the vent pipe must be able to overcome all resistance from the smoke circuit so that any smoke produced inside the stove during combustion is drawn up and dispersed in the atmosphere through the discharge conduit and the vent pipe itself. There are many meteorological factors that influence the operation of the vent pipe, rain, fog, snow, altitude, but most of all is of course the wind, which can cause thermal depression as well as dynamic depression.

The wind action varies depending on whether it is ascending, descending or horizontal.

- Ascending wind always results in an increased negative pressure and draught.
- Horizontal wind results in an increased negative pressure as long as the chimney cowl was properly installed.
- Descending wind always diminishes the negative pressure, sometimes inverting it.

Excess draught causes an increase in the combustion temperature and consequently a loss in stove efficiency.

Some of the combustion gases, as well as small particles of combustible material, are drawn into the flue pipe before being burned, reducing the stove's efficiency and increasing the consumption of pellets and causing the emission of polluting smoke.

At the same time the high fuel temperature, due to an excess amount of oxygen, wears down the combustion chamber sooner than expected. On the other hand, poor draught slows down combustion resulting in a decrease in the stove temperature, fume spillage inside the room, a loss of stove efficiency and dangerous build-up in the flue pipe.

To avoid excessive draught it is advisable to use a Draught Regulator or Damper (see figure to the side).



4.4 STOVE EFFICIENCY

Paradoxically, highly efficient stoves can make chimney work more difficult. The good functioning of a fireplace depends on the increase in temperature inside it caused by the combustion fumes. Now, the efficiency of a stove is determined by its ability to transfer most of the heat produced to the environment to be heated: it follows that the greater the efficiency of the stove, the "colder" the fumes, combustion residues and, consequently, the "draught" is lower. A traditional fireplace, of poor design and insulation, works much better in service than a traditional open fireplace, or a poor quality stove, where most of the heat is lost with the fumes.

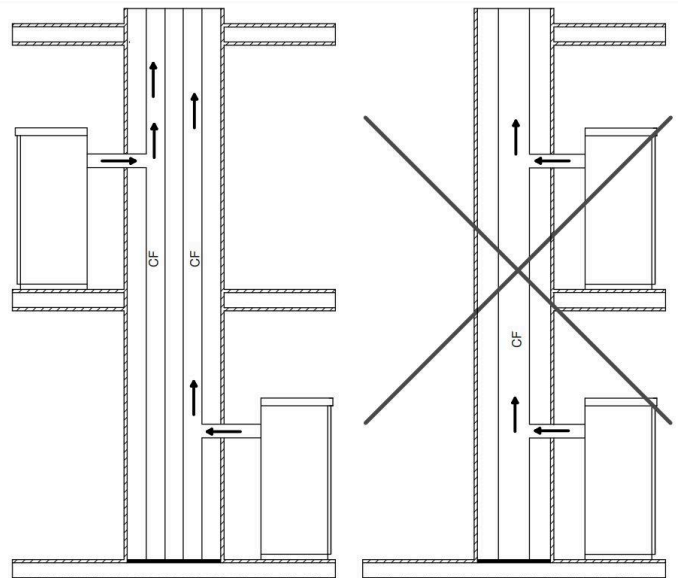
Purchasing a quality stove therefore often means having to work on the flue, even if it already exists and works with old systems, to insulate it better. If the stove does not heat or smoke, it is always due to bad draft.

Connecting the stove pipe to an existing chimney flue that has already been used with an old appliance is a common mistake. In this way two solid-fuel appliances share the same chimney flue, which is wrong and dangerous.

If the two appliances are used simultaneously, the fume load might exceed the existing chimney flue capacity resulting in downdraught. If only one appliance is used, the fume heat will facilitate draught but the cold air coming from the other appliance not in use will cool down exhaust fume temperature again blocking the draught.

Besides the problems described so far, if the two appliances are placed on different levels the communicating vessel principle might be interfered with, causing combustion fumes to be drawn in an irregular and unforeseeable way.

Key: CF - Flue Pipe



ONLY VALID IN GERMANY. In this country it is possible to install stoves in a shared flue.



ATTENTION

Read the manual carefully:

Before installing, the following indications must be met:

Select the position where the stove is to be installed and:

- Arrange the connection to the vent pipe for fume extraction.
- Arrange the external air intake (combustion air).
- Arrange the connection to the earthed mains.
- The electrical system of the room where the stove is to be installed must be earthed, otherwise the control board may not work properly.
- Place the stove on the floor in a convenient position for the connection to the vent pipe and close to the combustion air intake.
- The appliance must be installed on a floor with an adequate loading-bearing capacity. • Should the existing floor not comply with the requirement above, proper measurements must be taken (for instance, the installation of a load distribution plate).
- All the structures which could catch fire if exposed to excessive heat must be protected. Floors made from wood or inflammable materials must be protected using non-combustible materials (e.g. 4mm-thick sheet metal or ceramic glass).
- The appliance installation must ensure easy access for cleaning the stove, exhaust pipes and vent pipe.
- **This appliance is not suitable to be installed on a shared vent pipe.**
- During normal operation, the stove draws air from the room where it is installed. Therefore, an external air intake must be positioned at the same height of the pipe located on the stove back. Exhaust fume pipes must be suitable for pellet stoves and must therefore be made from coated steel or stainless steel, with a diameter of 8cm and fitted with adequate gaskets.
- The "air combustion" socket must reach an external wall or a wall of an adjacent room with external ventilation, as long it is not a bedroom or bathroom, nor at risk of fire such as garages, storage rooms, combustibles stores, etc. These air vents must be made in such a way that they cannot be blocked either internally or externally and should be protected by a grille, a metal net or other suitable protection without reducing the minimum dimensions.

4.5 AIRTIGHT STOVE ONLY

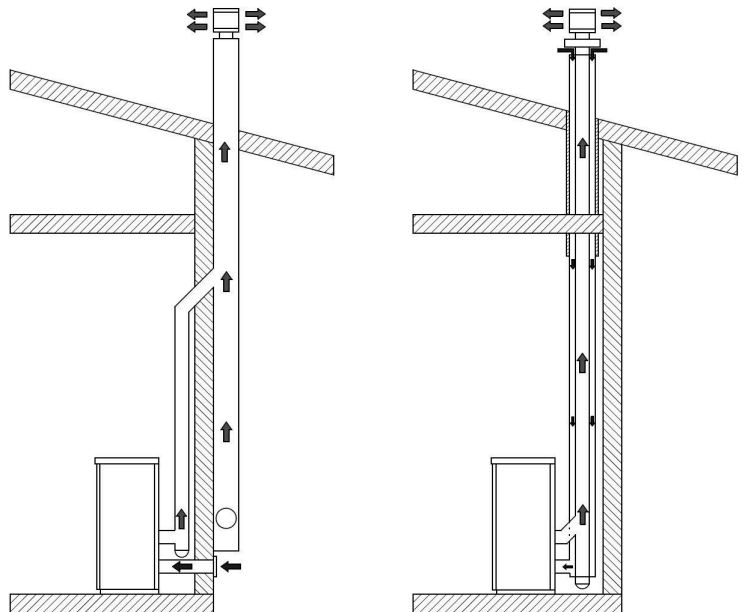


Hermetic stove information:

Airtight stoves take combustion and glass cleaning air directly from outside, not from the room where they are situated, if correctly attached by a suction tube. In this way, no oxygen is consumed from the immediate environment. Using coaxial tubes the air will be pre-warmed contributing to improved combustion and lower emissions into the atmosphere. Ideal for passive houses, they offer best comfort at the lowest cost. The stove works even if not connected to the external air intake.

Using coaxial tubes the air will be pre-warmed contributing to improved combustion and lower emissions into the atmosphere.

In any case, comply with the National provisions for installation with coaxial pipes.



4.6 INSTALLATION PLACE



ATTENTION

Read the manual carefully:

- When the stove is on, it can create a depression in the room where it is installed, therefore there must not be any open flame apparatus in the same room, with the exception of type C boilers (airtight).
- Make sure that the stove can draw the necessary quantity of combustion air: this must be from an open space (i.e. a space without exhaust blowers or providing adequate ventilation) or directly from outside.
- Do not install the stove in bedrooms or bathrooms.
- Unpack the stove: be careful not to damage the product at the time of unpacking.
- Check the stove's legs and adjust them so that the stove is stable.
- Place the stove so that the door and any window openings are not against the walls.
- After connecting the stove to the combustion air inlet join the coupling device to the vent pipe.



PRIMARY AIR INTAKE

In compliance with the current regulations for installation, the stove must be installed in a ventilated place with air that is sufficient to ensure correct combustion and therefore good operation.

The room must have a volume no less than 20 m³. In order to ensure good combustion (40 m³/h of air) there must be a "combustion air intake" that reaches an external wall or a wall of an adjacent room with an external air intake. The adjacent room must not be a bedroom, bathroom, or contain any fire risks, such as storerooms, garages, combustible materials stores, etc. These air intakes must be made in such a way as to avoid being blocked internally or externally, and should be covered with a grille, metal net or suitable protection, as long as the minimum diameter is not reduced.



ATTENTION

Read the manual carefully:

- When the stove is on, it can create a depression in the room where it is installed, therefore there must not be any open flame apparatus in the same room (with the exception of type C boilers (airtight), unless there is a suitable influx of air).
- The stove must not be positioned close to curtains, armchairs, furniture or to other flammable materials.
- The stove must not be installed in explosive or potentially explosive environments which may become explosive due to the presence of machinery, materials or dust that can cause greenhouse gas emissions or which can easily ignite with sparks.
- Before installing the pellet stove, it must be borne in mind that all finishes or any beams made of combustible material must be positioned at a suitable distance and outside the irradiation area of the stove itself; furthermore, it must be borne in mind that in order not to compromise the correct operation of the appliance air must be allowed to circulate inside its housing to prevent overheating, this is possible by respecting the minimum distances and making ventilation holes with a surface area of 80 cm².



ATTENTION

Observe the safety distances on the product label.

It is in any case advisable, as well as respecting minimum distances, to install the fireproof heat-resistant insulating panels (mineral wool, aerated concrete, etc.)

The following is recommend: Promasil 1000

Classification temperature: 1000 °C	Specific heat capacity: 1.03 Kj/kg K
Density: 245 kg/m ³	Thickness: 40 mm
Shrinkage at reference temperature, 12 h: 1.3/1000°C %	Thermal conductivity λ:
Cold crushing strength: 1.4 Mpa	400 °C à 0.10 W/mK
Bending strength: 0.5 MPa	600 °C à 0.14 W/mK
Reversible thermal expansion: 5.4x10 ⁻⁶ m/mK	800 °C à 0.17 W/mK

4.7 CONNECTION TO THE FLUE PIPE

i THE LENGTH OF THE FUME DUCT PIPE MUST HAVE A DIAMETER EQUAL TO OR GREATER THAN THAT SPECIFIED FOR EACH APPLIANCE. EVERY 90° ELBOW OR (T) COUPLING IS THE EQUIVALENT OF 1 METRE OF PIPE.

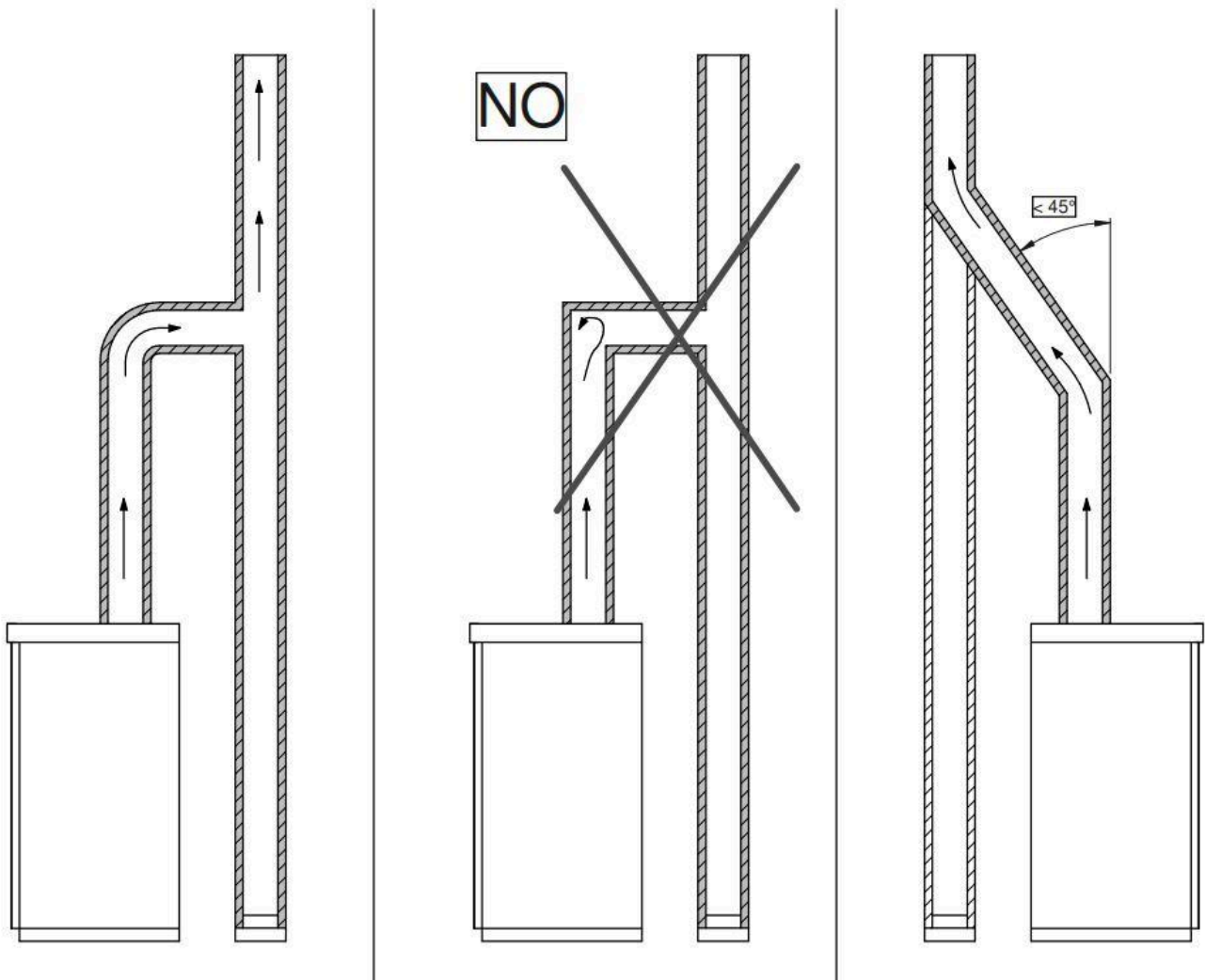
IN ORDER TO GUARANTEE CORRECT EFFICIENCY OF THE STOVE, ENSURE THE FOLLOWING TYPES OF INSTALLATION BEFORE CONNECTION TO THE FLUE PIPE:

INSTALL THE PRODUCT WITH AT LEAST 1 (T) COUPLING OR 1 METRE OF CERTIFIED PIPE ACCORDING TO EN 1856-2

i **PASSAGE OF FLAMMABLE WALLS**

When drilling the hole for the passage of the exhaust pipe it is necessary to take into account the possible presence of flammable materials. If the hole must pass through a wooden wall or in any case a wall made of thermolabile material, the installer must use a wall connection and adequately insulate the pipe of the product that passes through it using suitable insulating materials (1.3 - 5 cm thick with a minimum thermal conductivity of 0.07 W/m²K).

The same minimum distance must be respected even if the exhaust pipe has to pass through vertical or horizontal sections near the flammable wall.



5 PRODUCT DESCRIPTION

5.1 WOOD INSERTS

DIMENSIONS

Insert InsL760	Insert InsL930

OPTIONAL KIT

TRESTLE KIT	FRONT VENTILATION KIT
1 FAN DUCTING KIT	2 FANS DUCTING KIT

5.2 TECHNICAL DATA

Flue Gas Exhaust	A	200	mm
Convective Air Output	B	120	mm
Ducted Air (if any)	C	80	mm
Heatable room size (m3)	200 - 300		
Hourly consumption (kg/h)	3,4		
Minimum draw (Pa)	10		
Fumes temperature (°C)	195		
Fumes mass flow (g/s)	9,6		
Fuel type, Length (mm)	Wood Chips 250 - 330 mm		
Maximum fuel humidity (%)	20		
Combustion chamber size (L x H x W mm)	530 x 250 x 290		
Distance from flammable walls Side; Back; Front (cm)	28 x 25 x 150		

Install the product with at least 1 meter of Ø 200 pipe, certified according to the EN1856-2 standard.

The fume exhaust pipes must be suitable for wood stoves: made of painted steel or stainless steel, diameter 200 mm. The flue pipe to the outside must be insulated.

PRODUCT INFORMATION SHEET ACCORDING TO (EU) 2015/1185 and (EU) 2015/1186

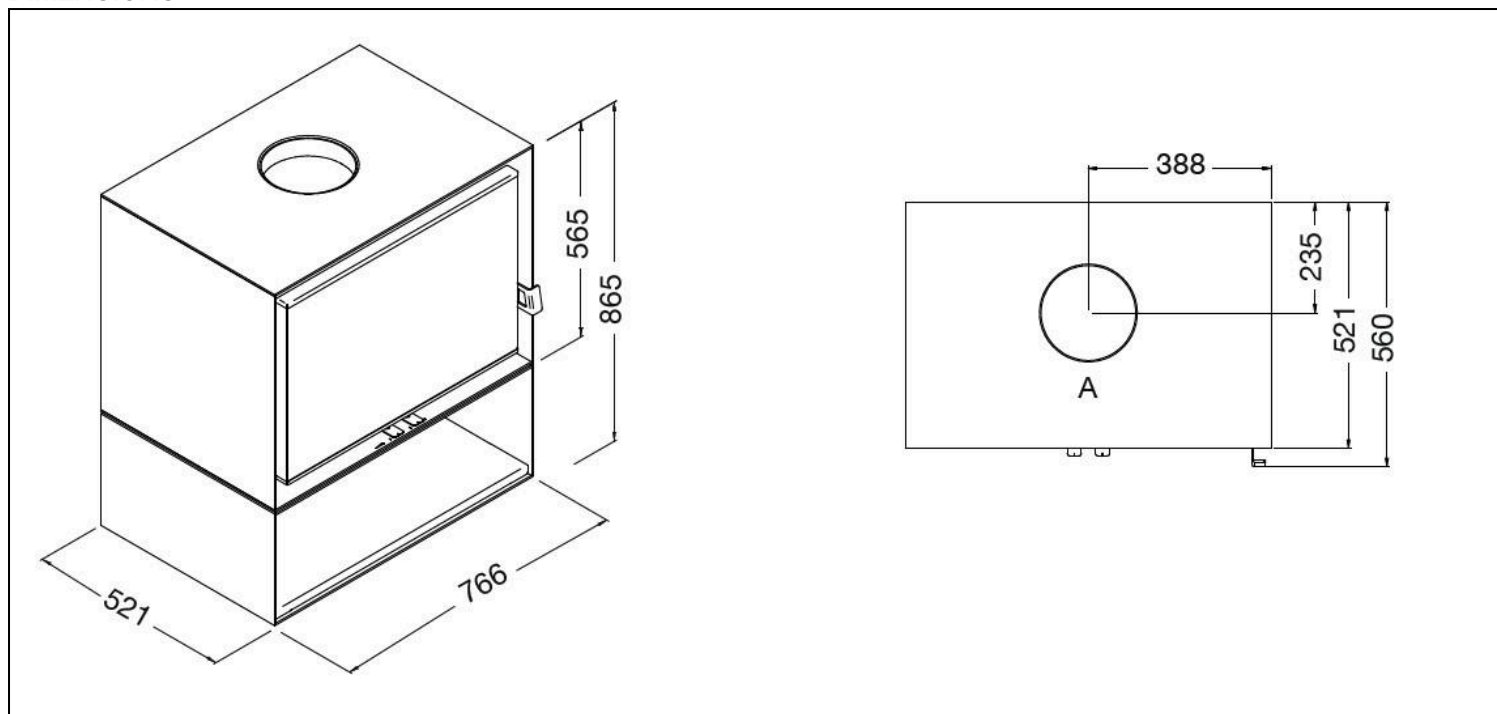
Manufacturer	EVA STAMPAGGI SRL		
Brand	See product label		
Type / Model identifier	IL12,5 / See product label		
General description of the appliance	Wood Inset		
Applied standards	EN 13229		
Notified body	KIWA CERMET ITALIA NB0476		
Indirect heating function	NO		
Direct heat output	12,5		kW
Indirect heat output	----		kW
Seasonal energy efficiency (η_s)	76.0		%
Energy efficiency index (EEI)	114		
Energy efficiency class	A+		
Preferred fuel (single)	Wood chips with humidity content ≤ 25 %		
Space heating emissions at nominal heat output (13 % O ₂)	PM	19	mg/Nm ³
	OGC	31	
	CO	638	
	NO _x	96	
Space heating emissions at minimum heat output (13 % O ₂)	PM	----	mg/Nm ³
	OGC	----	
	CO	----	
	NO _x	----	
Heat output	Nominal heat output (P _{nom})	12,5	kW
	Minimum heat output (P _{min})	----	
Useful efficiency (NCV received)	Useful efficiency at nominal heat output ($\eta_{th,nom}$)	86,0	%
	Useful efficiency at minimum heat output ($\eta_{th,min}$)	----	
Auxiliary electricity consumption	At nominal heat output (el _{max})	----	kW
	At minimum heat output (el _{min})	----	
	In standby mode (el _{sb})	----	
Heat output type / room temperature control	Single phase heat output without room temperature control		
Other control options	Room temperature control with presence detection	NO	
	Room temperature control with open window detection	NO	
	With remote control option	NO	
Permanent pilot flame power requirement	Pilot flame power requirement (if applicable) (P _{pilot})	---- kW	
Carefully read the instructions for installation, use and maintenance.			
Eva Stampaggi S.r.l. Via Cal Longa Z.I. 31028 Vazzola (TV) ITALIA P.IVA: 01183110269 Tel. +39 0438 740433 Fax. +39 0438 740821 e-mail: info@evacalor.it			

According to EU Regulation 305/2011, the Declaration of Performance (DoP) is available on the websites:

www.evacalor.it
 www.puntofucoco.net
 www.montegan.it

5.3 WOOD STOVE

DIMENSIONS



5.4 TECHNICAL DATA

Flue Gas Exhaust	A	200	mm
Heatable room size (m ³)	200 - 300		
Hourly consumption (kg/h)	3,4		
Minimum draw (Pa)	10		
Fumes temperature (°C)	195		
Fumes mass flow (g/s)	9,6		
Fuel type, Length (mm)	Wood Chips 250 - 330 mm		
Maximum fuel humidity (%)	20		
Combustion chamber size (L x H x W mm)	530 x 250 x 290		
Distance from flammable walls Side; Back; Front (cm)	28 x 25 x 150		

Install the product with at least 1 meter of Ø 200 pipe, certified according to the EN1856-2 standard.

The fume exhaust pipes must be suitable for wood stoves: made of painted steel or stainless steel, diameter 200 mm. The flue pipe to the outside must be insulated.

PRODUCT INFORMATION SHEET ACCORDING TO (EU) 2015/1185 and (EU) 2015/1186

Manufacturer	EVA STAMPAGGI SRL		
Brand	See product label		
Type / Model identifier	IL12,5 / See product label		
General description of the appliance	WOOD STOVE		
Applied standards	EN13240		
Notified body	KIWA CERMET ITALIA NB0476		
Indirect heating function	NO		
Direct heat output	12,5		kW
Indirect heat output	----		kW
Seasonal energy efficiency (η_s)	75.7		%
Energy efficiency index (EEI)	114		
Energy efficiency class	A+		
Preferred fuel (single)	Wood chips with humidity content ≤ 25 %		
Space heating emissions at nominal heat output (13 % O ₂)	PM	19	mg/Nm ³
	OGC	31	
	CO	638	
	NO _x	96	
Space heating emissions at minimum heat output (13 % O ₂)	PM	----	mg/Nm ³
	OGC	----	
	CO	----	
	NO _x	----	
Heat output	Nominal heat output (P _{nom})	12,5	kW
	Minimum heat output (P _{min})	----	
Useful efficiency (NCV received)	Useful efficiency at nominal heat output ($\eta_{th,nom}$)	86,0	%
	Useful efficiency at minimum heat output ($\eta_{th,min}$)	----	
Auxiliary electricity consumption	At nominal heat output (el _{max})	0.040	kW
	At minimum heat output (el _{min})	----	
	In standby mode (el _{sb})	0.003	
Heat output type / room temperature control	Single phase heat output without room temperature control		
Other control options	Room temperature control with presence detection	NO	
	Room temperature control with open window detection	NO	
	With remote control option	NO	
Permanent pilot flame power requirement	Pilot flame power requirement (if applicable) (P _{pilot})	---- kW	
Carefully read the instructions for installation, use and maintenance.			
Eva Stampaggi S.r.l. Via Cal Longa Z.I. 31028 Vazzola (TV) ITALIA P.IVA: 01183110269 Tel. +39 0438 740433 Fax. +39 0438 740821 e-mail: info@evacalor.it			

According to EU Regulation 305/2011, the Declaration of Performance (DoP) is available on the websites:

www.evacalor.it
 www.puntofucoco.net
 www.montegan.it

5.5 PRODUCT DETAILS

INSTALLATION

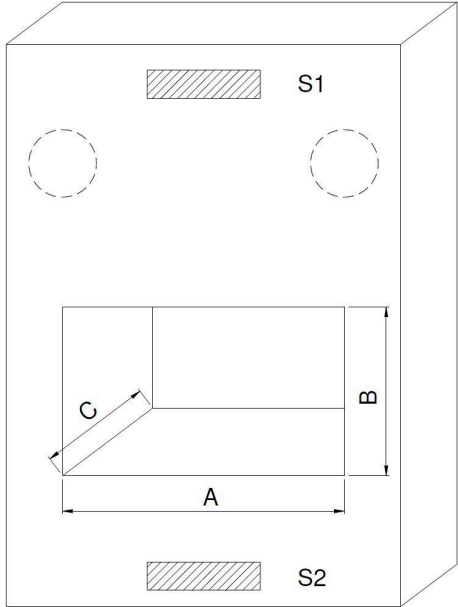
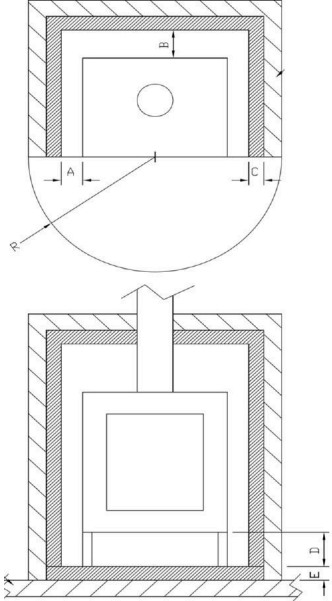
PROCEDURE FOR CORRECT INSTALLATION OF THE PRODUCT.

INTRODUCTION:

The minimum monoblock dimensions and openings for correct air circulation must be taken into account when installing to prevent the item from overheating.

Minimum area measurements for natural air convection must be observed.

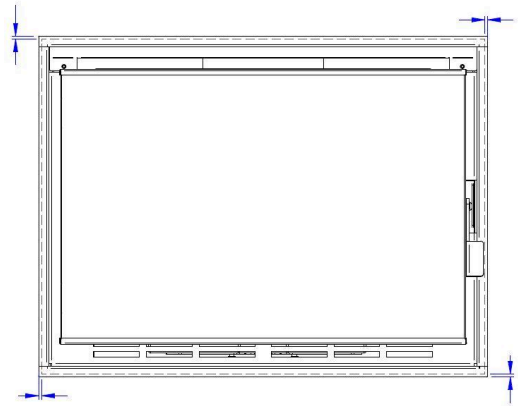
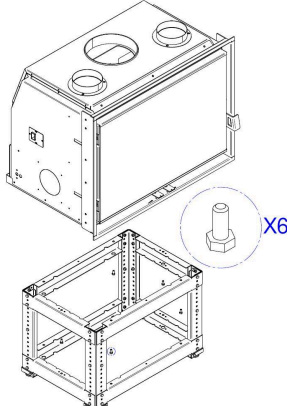
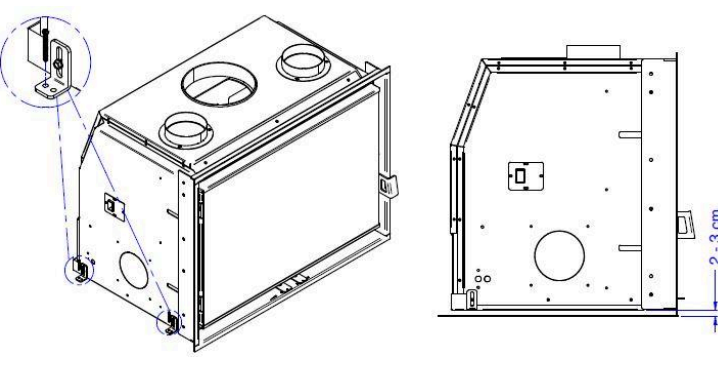
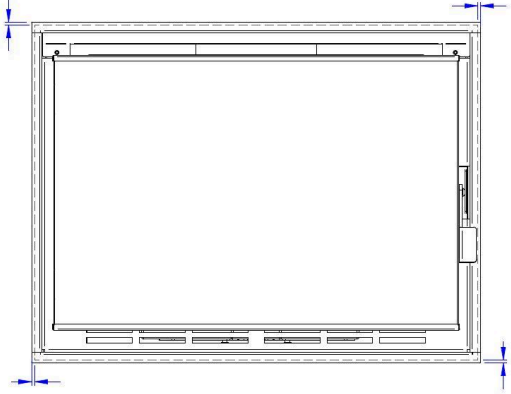
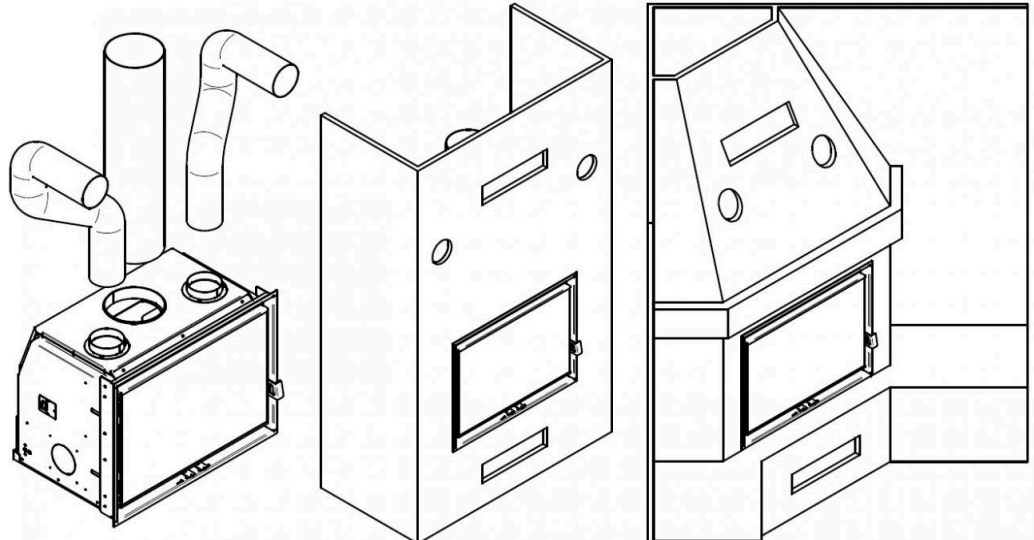
Air movement can also take place at the side or from the rear of the cladding. Openings must be protected by grilles or protective devices so as to prevent access to the electrical parts of the chimney or moving parts. At the right, the distances from flammable walls.

 <p>A 3D perspective view of the product. It shows a rectangular box with two circular openings on the front face. Dimensions are indicated: A is the width of the main body, B is the height, and C is the depth of the front panel. Two shaded rectangular areas are labeled S1 (top) and S2 (bottom).</p>	 <p>Two cross-sectional diagrams. The top one shows a circular opening with a radius R and clearances A and C. The bottom one shows a rectangular opening with clearances B, C, and D.</p>
<p>A= Ins L760 = 756 mm / Ins L930 = 920 mm B= Ins L760 = Ins L930 = 573 mm C= Ins L760 = Ins L930 = 510 mm S1= 450 cm² S2= 450 cm²</p>	<p>A= 280 mm B= 250 mm C= 40 mm (material aislante) D= 450 mm R= 1000 mm</p>



If the product is to be installed with a ducted air kit, take into account the additional size of the duct motors and the possibility of accessing them for subsequent maintenance. In the event that the air passage sections described in the instruction manual are not guaranteed, anomalies could occur in correct functioning of the product. Regarding the front ventilation kit with tangential, maintenance can be performed from inside the product.

Remove the product packaging, being careful not to damage the product and remove the frame.

INSTALLATION ON PRE-EXISTING STRUCTURE	NEW INSTALLATION
<p>1. Prepare the recess for the insert as previously indicated.</p>	<p>1. If there is no support surface for the insert, use the trestle (OPTIONAL), which has two different height adjustments. Anchor it to the ground with screws and Fischer screws and plugs Ø6 or use the adjustable feet. Then secure the product with the M6X16mm screws.</p>
	
<p>2. Attach the product to the support surface using the pallet attachment brackets. Use a spirit level to obtain correct positioning. If the support surface is wider than the maximum dimensions of the insert, it is necessary to raise the chimney by 2-3 cm.</p>	<p>2. Create a vertical front wall. Then create a front recess as previously indicated.</p>
	
<p>3. Proceed to connect the fume duct and the flexible tubes for the convective air and then create the cladding.</p>	
	

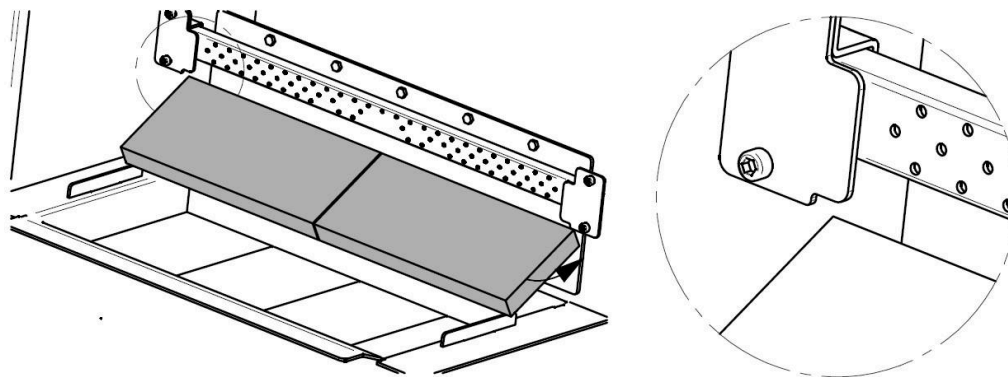


ATTENTION

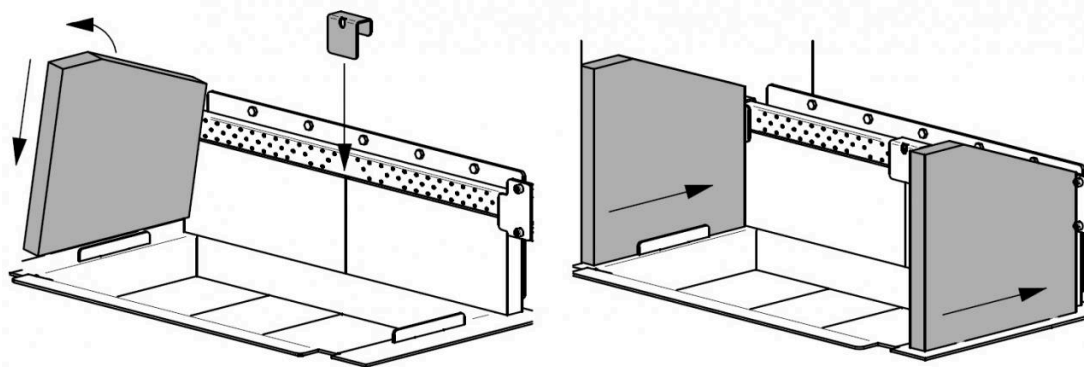
If there are upper beams or wooden finishes or in any case objects made of flammable material, they must be adequately insulated or they must be installed outside the irradiation area.

COMBUSTION CHAMBER REFRACTORY INSTALLATION

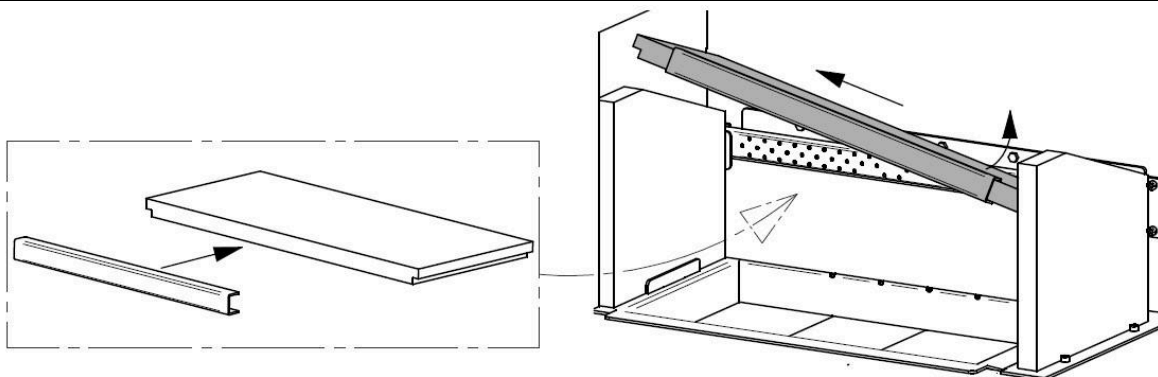
1. Install the rear wall



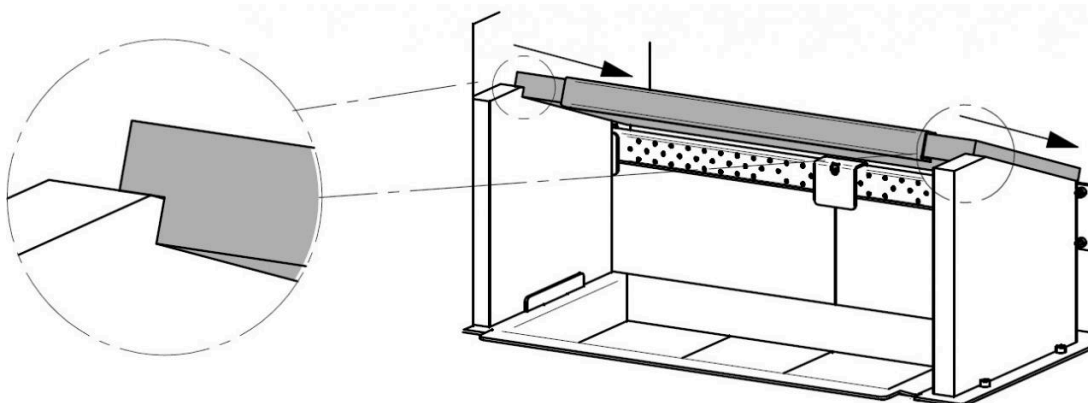
2. Place the side walls between the block and the screw heads. Once positioned, push them backwards.



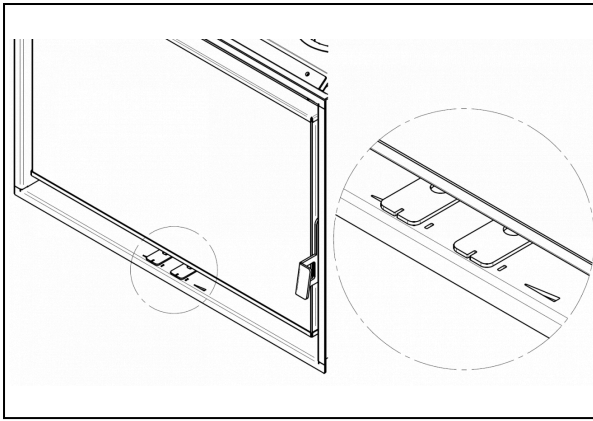
3. Install the upper baffle.



4. Check the joints and once positioned push it backwards. The reinforcing "C" is positioned towards the front.



USE OF ADJUSTMENT DEVICES



Air adjustment devices: with these adjustment devices it is possible to regulate the ignition and combustion of the product.

Right adjustment device: primary air adjustment device (to be used during ignition).

Left adjustment device: secondary air adjustment device (to be used during combustion).

To adjust, turn the adjustment devices to the right or left. In particular, turning to the right results in complete opening while turning to the left results in closure.

In the photo we can see that the primary air adjustment device is completely closed while the secondary air adjustment device is completely open.




ATTENTION

Excessive opening of the registers can cause overheating and consequent product malfunction. On the contrary, excessive and continuous closing of the registers can cause a reaction when oxygen enters the chamber, or a continuous formation of soot in the chimney.

6 PRODUCT USE


6.1 POWER ON

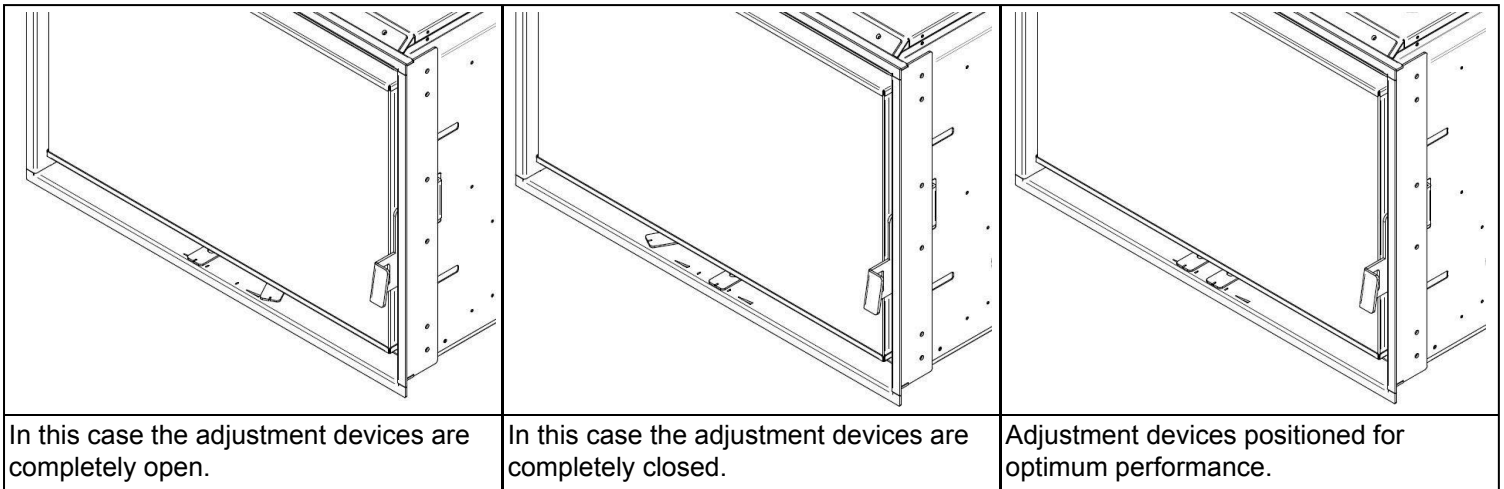
 The first ignition after installation must be performed with very little wood. This is used to understand if the installation has been performed correctly and there is no loss of smoke and for settling of the product structure.


To light the stove, small (dry) logs and possibly ecological fire-lighters are required. Open the primary and secondary air adjustment device using the levers and position the logs as in the photo. After positioning the logs, position the fire lighter and start it. Close the door and wait for the flame to ignite all the wood logs positioned, then close the primary air adjustment device. Failure to close this adjustment device could cause the stove to overheat and its parts to break.


Good ignition depends very much on the draught of the flue pipe: if the ignition is difficult, the flue pipe will not have the recommended draught due to the fact that it is cold and the stove will require more time to reach the intended operating conditions.

In this case, we recommend that you open the ash drawer or keep the fire door slightly open.

 **ATTENTION**
NEVER use flammable liquids to ignite the wood logs



 **ATTENTION**
The metal structure is coated using high temperature paints. When using the appliance for the first few times, unpleasant odours may be given off due to the paint of the metal parts that is drying: this is in no way dangerous and in such case, simply ventilate the premises. After the first heating cycles, the paint will reach its maximum adhesion and all its chemical and physical features.
Do not use alcohol, petrol or other highly inflammable liquids to light the fire or poke it during operation.
It is also possible that the product may undergo slight deformations, as the structure is made of steel, and therefore slight noises or crunches may be heard. This is absolutely normal and should not be considered a defect.

 Encourage a change of air and good ventilation to the environment where the stove is installed.
Introduce a small amount of wood into the stove for the first ignitions and subsequent refills.

Example of ignition from above:

Load the combustion chamber first with the largest logs of wood and above with strips of dry wood to facilitate ignition. Arrange the wood as shown in the photo, leaving space between one log and another. Place the fire lighter on top of the wood and start.



Do not add any more wood until the load has been consumed. Close the adjustment devices if the fire has ignited well. If the wood is damp or the flue does not have much draft, it is advisable to leave the door ajar. The moment you close it and the fire tends to go out, reopen the door and favor the complete ignition of the initial charge.

6.2 COMBUSTION

To obtain the best combustion, follow the parameters below:

	IL12,5
Amount of wood (kg/h)	3,4
Primary air adjustment device	Closed
Secondary air adjustment device	Open 100 %
Refuelling interval (min)	47
Wood log length (cm)	25 - 33
Draught (Pa)	10

Once the product has started up and reached full speed, it will be possible to regulate combustion using the secondary air adjustment device. The primary air adjustment device should remain closed.

When refilling with wood it would be advisable to open the secondary air adjustment device (NOT THE PRIMARY ONE). Slightly open the door so that the stove takes in oxygen, load the wood and close the firebox door. At the time of refilling there should be no lit fire in the chamber as, depending on the efficiency of the fireplace, there may be a loss of fumes into the environment generated by the fire. Therefore, refilling is only recommended when there are embers burning on the fire bed.



ATTENTION

- Do not introduce more fuel into the product than indicated above.
- Don't smother the fire by closing the air vents.
- Do not leave the primary air adjustment device open during normal operation, thus avoiding overheating of the appliance and its subsequent deformation or the damaging of other components such as the glass.
- Do not leave the firebox door open.
- Use proper protection equipment during refuelling: the firebox door handle and the adjustment devices might be very hot when the stove is operational.
- If the coals are extinguished, light them up with new wood shims to start the fire. If this does not occur, gases may form in the combustion chamber and subsequently, in extreme cases, an explosion may occur.
- Identify the correct ignition and the right amount of air (by adjusting the adjustment devices) to ensure that the stove works properly, based on the characteristics of the fireplace and wood.
- The firebox chamber is made of a material called vermiculite. Although it is resistant, it is advisable not to throw wood onto it during refilling. Breakage due to user incorrect behaviour in loading wood is not covered by the warranty.
- Over time, however, it is possible that small cracks may form in the vermiculite. This is absolutely normal and in no way affects the correct functioning of the stove.

USING THE RADIO CONTROL FOR VENTILATION (CERTAIN MODELS ONLY)



The product inside has a control card capable of receiving functions via radio control including:

- Adjustment of the ventilation speed: during normal operating mode by pressing the "+" and "-" buttons, marked by the thermometer or the flame, it will be possible to set the desired ventilation set.
- It is possible to exclude ventilation by pressing "-" until it turns off.
- You can turn on the ventilation even if the product is not turned on by pressing the "+" button. The ventilation will then turn off automatically after 10 minutes. ON/OFF button, not used.

OPERATION

The command activates ventilation when the internal temperature of the insert reaches the minimum temperature given by the TM (internal thermostat) accompanied by an acoustic sound. In off, the command completely excludes ventilation even when the TM temperature is reached. The air flow is based on selection 1-5, where 1 is the minimum speed and 5 the maximum speed. When the TM temperature drops to the operating limit the fan will turn off accompanied by an acoustic sound.

Memorization of the radio control code: Once the circuit is powered, if you press a button on the remote control within 3 seconds the board memorizes the code received.

7 CLEANING AND MAINTENANCE

The product requires simple and frequent cleaning in order to guarantee maximum efficiency and regular operation. The Purchaser must regularly clean the product following the instructions contained in this Instruction Manual and in particular must perform daily cleaning before each ignition of the ash and of the combustion chamber. Failure to clean and/or routinely maintain the stove can cause: malfunctions, clogging of the pipes, poor or slow combustion, overheating and the product catching fire.



ATTENTION

assumes no criminal and/or civil, direct and/or indirect liability for product malfunction and for damage to persons or property caused by non- or incorrect cleaning and by the failure to perform ordinary maintenance of the same.



ATTENTION

Clean when the product is completely cold.

daily cleaning

Depending on the hours of operation and the quality of the wood, check the amount of ash in the combustion chamber and if necessary remove or vacuum it out. Use a flame retardant container.

Vacuum the combustion chamber, ensuring that there are no burning embers remaining. If embers are still burning, the vacuum cleaner will catch fire;

weekly cleaning

Remove the ash that collects inside the fire box and on the door.

Clean the glass with a damp cloth or with a ball of damp newspaper dipped in ash. If the operation is performed with the stove hot there is a risk of the glass exploding. Do not use harsh or abrasive chemicals. Use newspaper with water and little ash.



External cleaning of the product

For external cleaning of the product, use only a dry cloth. Do not use abrasive material or products that could corrode or bleach surfaces.

EXTRAORDINARY MAINTENANCE/YEARLY

The Buyer must have the flue and flue pipe cleaned annually, before winter, by qualified technical personnel and retaining the documentation to be shown in the event of activation of the warranty.

Cleaning must also be carried out before resuming use of the stove, as during the summer there may have been impediments to the regular flow of exhaust gases (e.g. nesting, fouling or obstruction).

The lack of extraordinary maintenance can cause: depression with poor draught and a slow flame, clogging of the burn pot and pipes, overheating of the stove and fire in the smoke pipe.



ATTENTION

Eva Stampaggi S.r.l. assumes no criminal and/or civil liability, direct and/or indirect for the malfunction and those resulting from people or things caused by the failure/incorrect extraordinary maintenance of the stove.

It is not uncommon, at the first cold spell and with wind for fires to ignite in the chimney due to the residue build up; some advice in the unfortunate event of this happening is:

- Block air supply to the pipe immediately;
- Use large handfuls of sand or salt, not water, to extinguish the fire;
- Move objects and furniture away from the hot chimney.



ATTENTION

IN CASE OF FIRE:

- Close the fire box door and the ash drawer.
- Close the comburent air adjustment devices.
- Use sand or coarse salt in handfuls, and not water, to extinguish the fire; use powder CO2 extinguisher.
- Remove objects and furniture.
- Call the fire-fighter service.

8 YEARLY SCHEDULED MAINTENANCE

Date 1st maintenance	(Technical Assistance Centre stamp)
----------------------	-------------------------------------

Date 2nd maintenance	(Technical Assistance Centre stamp)
----------------------	-------------------------------------

Date 3rd maintenance	(Technical Assistance Centre stamp)
----------------------	-------------------------------------

9 INSTALLATION AND TEST CERTIFICATE

CERTIFICATE OF INSTALLATION AND TESTING		
CUSTOMER		
STREET/ROAD:		
CITY:		
POSTAL CODE:		
PROVINCE		
TEL:		
Delivery date:		
Delivery document:		
Equipment mod.:		
Serial number:		
Year:		
DEALER and INSTALLER DATA		
First name:		
Last Name:		
Address:		
Location		
Tel.:		
INSTALLER Signature	RETAILER Signature	

The customer acknowledges that, upon completion of the installation of the device, the works were carried out professionally and in accordance with the instructions in this user manual. The same also states that they acknowledge perfect functioning and are aware of the information needed to correctly use, operate and perform maintenance on the appliance.

CUSTOMER Signature

10 WARRANTY

WARRANTY

Eva Stampaggi S.r.l. guarantees that the stove is built in accordance with EN 13240 (wood-burning stoves) EN 14785 (pellet stoves) and EN 303-5:2012 (pellet boilers)

Eva Stampaggi S.r.l. guarantees that the stove is free from defects that make it unsuitable for its intended use or significantly reduce its value. The rules of the Italian Civil Code or applicable national law governing the guarantee in the sales contract, or applicable national law ex D. Int.

Any non-conformity can be claimed under the guarantees and procedures provided for in Legislative Decree 206/2005, provided that the Buyer was aware of the defect, or could not ignore it with ordinary diligence, or if the lack of conformity derives from instructions or materials provided by the same.

The warranty excludes malfunctions, defects and/or faults and consequent damages, resulting from property and/or persons, attributable to an abnormal and/or improper use of the product and/or not in compliance with safety regulations and/or the "Pellet Stove Instruction Manual", or resulting from an installation that does not comply (to which the absence of documents certifying such compliance is also equated) with current regulations and safety directives, or performed by unqualified personnel (UNI10683 and UNIEN 1443), or when, by way of example, there is a direct discharge to the wall.

Likewise, any non-conformity that may be randomly attributed to a use or installation of the product that does not comply with applicable laws and regulations and/or the instructions contained in this "Pellet Stove Instruction Manual" will not be covered by warranty.

The aforementioned warranty is also excluded for defects in conformity, malfunction, defects and/or faults and the consequent damage, caused to property and/or persons, resulting from the use of the stove in a manner that does not comply with safety directives.

The warranty for malfunction, defects and/or defects and/or faults does not work and Eva Stampaggi S.r.l. assumes no responsibility for damages caused to property or persons resulting from: the lack of first ignition carried out by a specialised technician, to which the absence of such documents, proving said operation, is equated; from the violation and/or non-compliance with the provisions of this Instruction Manual; from the tampering and/or alteration of the stove and its electrical board; from the non-compliance with lights and alarms; from the failure to clean and routine maintenance; from the failure to clean and extraordinary maintenance carried out by specialised technical personnel, to which the absence of documents proving said maintenance is equated; from the improper use of the stove; from the lack of installation requirements; from the non-compliance with the procedures for reporting conformity defects provided for in Legislative Decree no. 206/2005; from the use of unsuitable or poor fuel; from modifications and/or repairs carried out without prior communication and relative authorization of Eva Stampaggi S.r.l.; from the use of non-original and/or non-specific spare parts for the stove.

The above list must be considered non-exhaustive and therefore the cases not expressly indicated but which, by virtue of analogical interpretation, can be equated with the cases listed must also be considered included among the cases of exclusion of the guarantee.

All the following differences related to the natural characteristics of the coating materials are excluded from the warranty: the grains of the stones that are the main characteristic and that guarantee their uniqueness; any small cracks or cracks that could be highlighted in ceramic/majolica coatings; any differences in shades and shades on ceramic/majolica coatings; door glass; gaskets; masonry works.

Eva Stampaggi S.r.l. assumes no responsibility for: damage to chromed and/or anodised metal parts and/or painted or otherwise with treated surfaces, if due to rubbing or impact with other metals; damage to chromed and/or anodised metal parts and/or painted or in any case with treated surfaces, if due to improper maintenance and/or cleaning with products or chemical agents (said parts must be cleaned using only water); damage to mechanical components and mechanical parts due to their improper use or installation by non-specialist personnel or, in any case, for installation that did not comply with the instructions contained in the packaging; damage to electrical or electronic components and parts due to improper use or installation by non-specialist personnel or, in any case, for installation that did not comply with the instructions contained in the packaging.

Ignition resistors are material subject to wear and tear, the duration of which depends on the use of the stove; the relative warranty is therefore limited to the first 6 months of use of the product.



Warning: after purchase, keep the warranty certificate together with the original packaging of the product, the installation and testing certificate and the receipt issued by the seller. The date of the sales tax document will determine the actual duration of the warranty.

The warranty provided shall be subject to the following terms and conditions:

The aftersales procedure is managed by our staff, who may be contacted on +39 0438 35469 or by sending an e-mail to assistenza@evacolor.it

Our qualified staff will provide you with information concerning technical, installation or maintenance problems.

If the problem cannot be resolved over the phone, our staff will forward the issue on to the user's Technical Assistance Centre, who will guarantee service within five working days

Any parts replaced during the warranty period shall be covered for the remaining period of the purchased product warranty. The manufacturer shall not pay the customer any indemnities for the inconvenience of not being able to use the product during the period required for repairing.

Should it be necessary to replace the product, the manufacturer will deliver it to the retailer who will then deliver it to the end user following the same procedure as for the product purchase.

This guarantee is valid within Italy; in the event of sale or installation carried out elsewhere, the guarantee must be recognised by the distributor in that territory.

The warranty is carried out with the repair or replacement of defective parts, or defective parts or the entire product, at the discretion of the company

When requesting assistance, you must have the following to hand:

- Serial number
- Stove model
- Purchase date
- Purchase location
- Warranty goodwill certificate completed by specialised C.A.T.



EVA STAMPAGGI ADVISES TO CONSULT WITH ITS AUTHORIZED DEALERS AND SERVICE CENTERS.

AN INSTALLATION ACCORDING TO THE LAW IS MANDATORY, EVA STAMPAGGI STRONGLY RECOMMENDS A FIRST IGNITION OF ITS PRODUCTS WITH A QUALIFIED TECHNICIAN.

EVA STAMPAGGI HAS NO LIABILITY OF ONLINE SALES AND RELATED OFFERS, BECAUSE IT DOES NOT MAKE DIRECT SALES TO THE GENERAL PUBLIC.

FOR ANY TECHNICAL PROBLEM DURING THE PERIOD OF THE LEGAL WARRANTY, THE PROCEDURE REQUIRES TO CONTACT THE DEALER OR DIRECTLY OUR AFTER SALE SERVICE.

EVA STAMPAGGI SRL reserves the right to make technical changes to this manual without notice.

The data and characteristics indicated do not bind , which reserves the right to make any changes deemed appropriate without obligation of notice or replacement.

All rights reserved. Total or partial reproduction prohibited without express authorization from ,

EVA STAMPAGGI SRL

Via Cal Longa Z.I.

31028 Vazzola (TV) ITALIA

Tel: +39 0438 740433

Fax: +39 0438 740821

Made in Italy

